

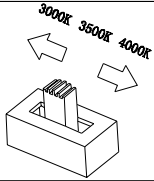
DC Light ApS
 Handverkerbyen 10
 DK-2670 Greve
 Denmark

Rondo LED Ceiling

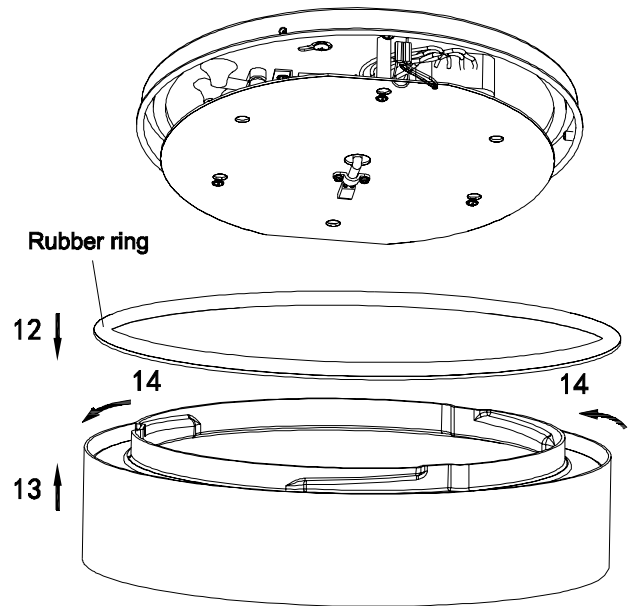
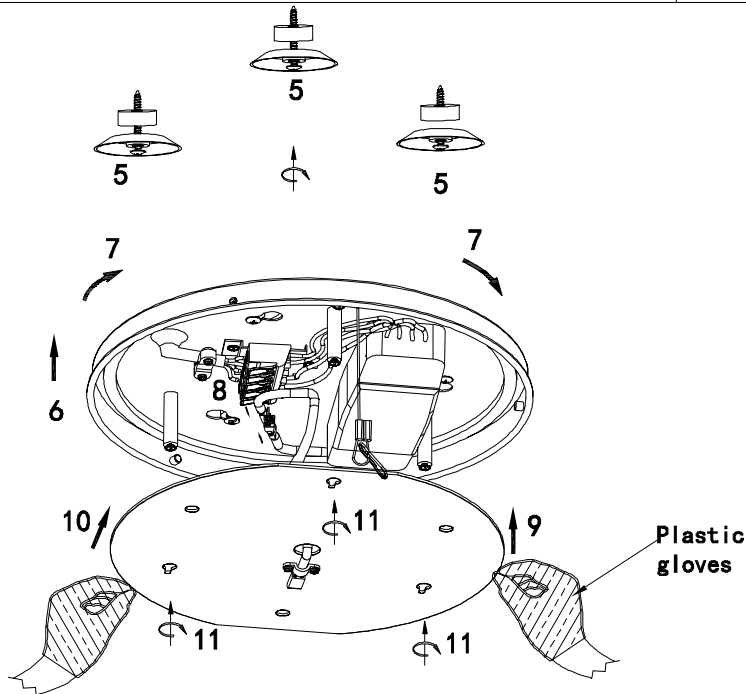
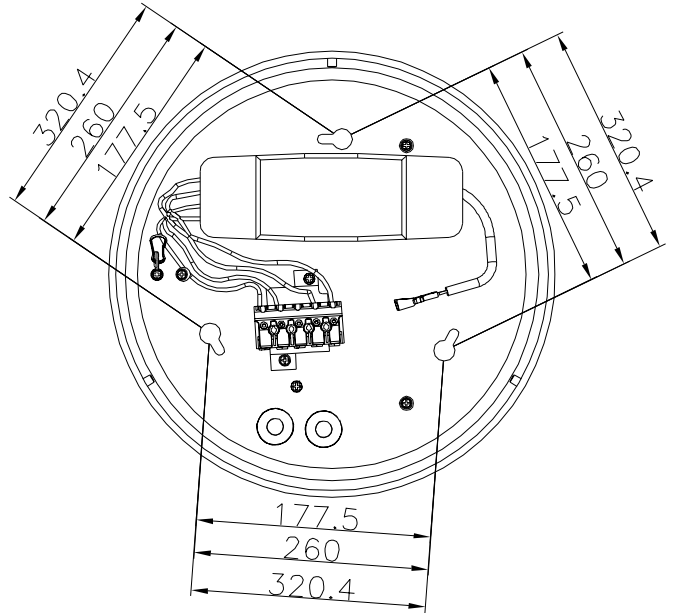
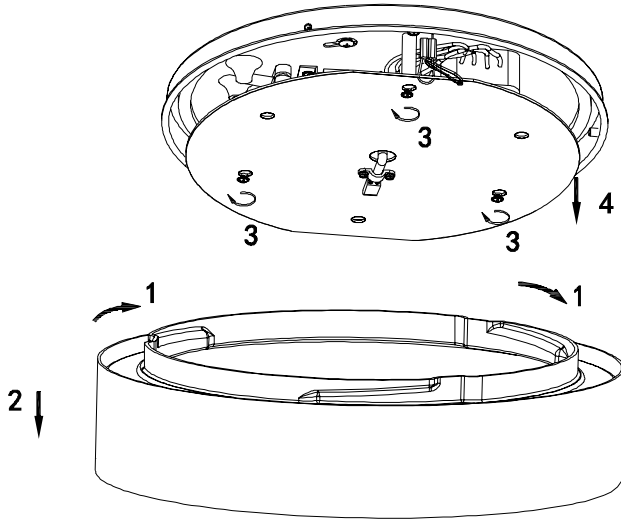


EN60598/CEM2001/108/CE

Power: 230V~50Hz
 IK08-IP44
 Temp: -20° c/50° c
 Socket: LED-Platta
 Lightsource: LED
 20W/30W/40W
 PMMA Diffuser/ALU House



Note: Kelvin change switch is placed inside the luminaire, on the LED plate.
 Disconnect the power before operation.
 Settings are 3000K/3500K/4000K, factory setting is 3000K.



Option -No Up Light:
 A: Remove paper from rubber ring
 B: Open the diffuser frame and put the rubber ring glowed side to top of the opal edge
 C: Close the diffuser frame to the body

